



IPC Integrated Professional Cleaning

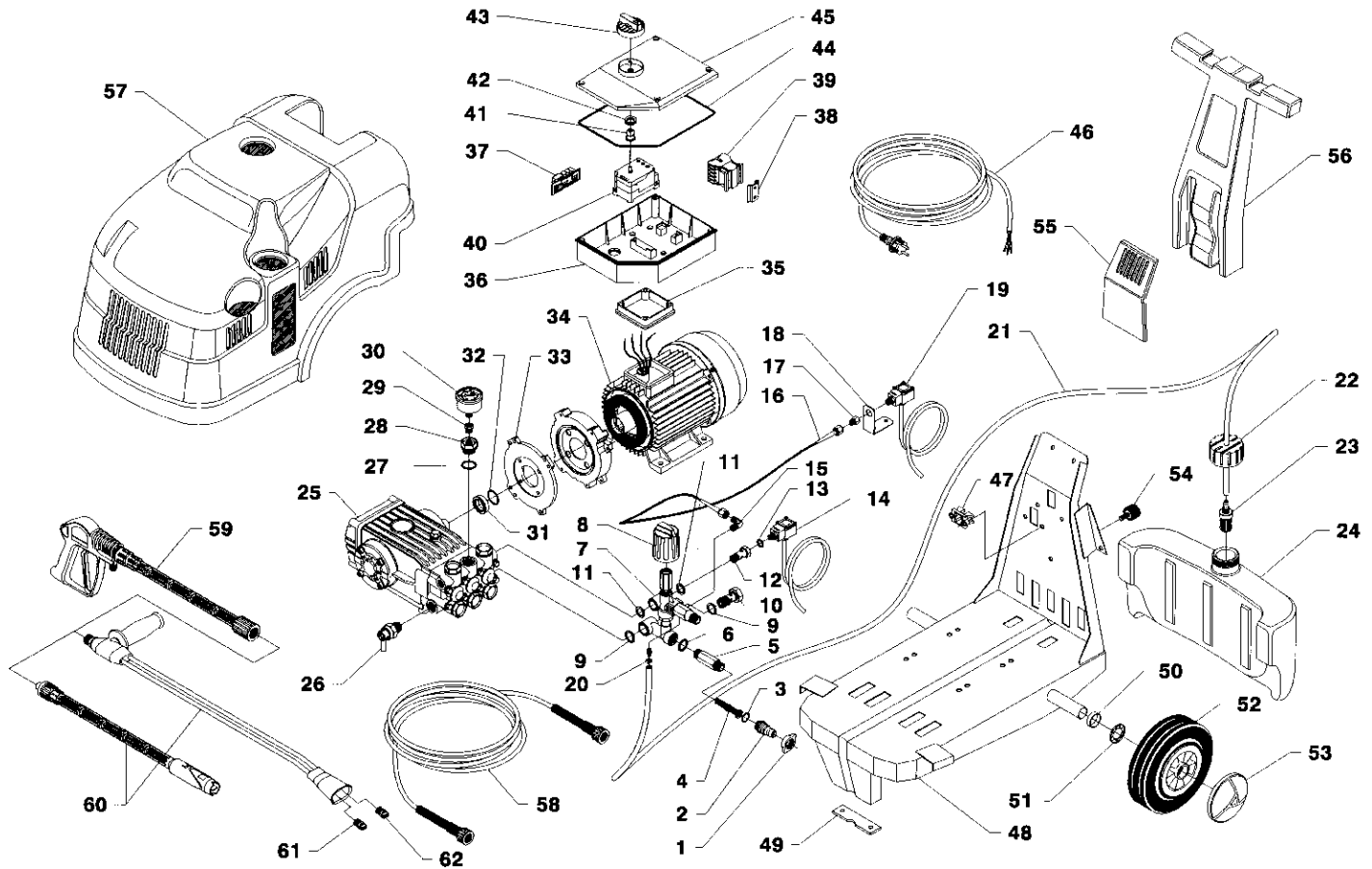
IPCPortotecnica

Spare Parts List

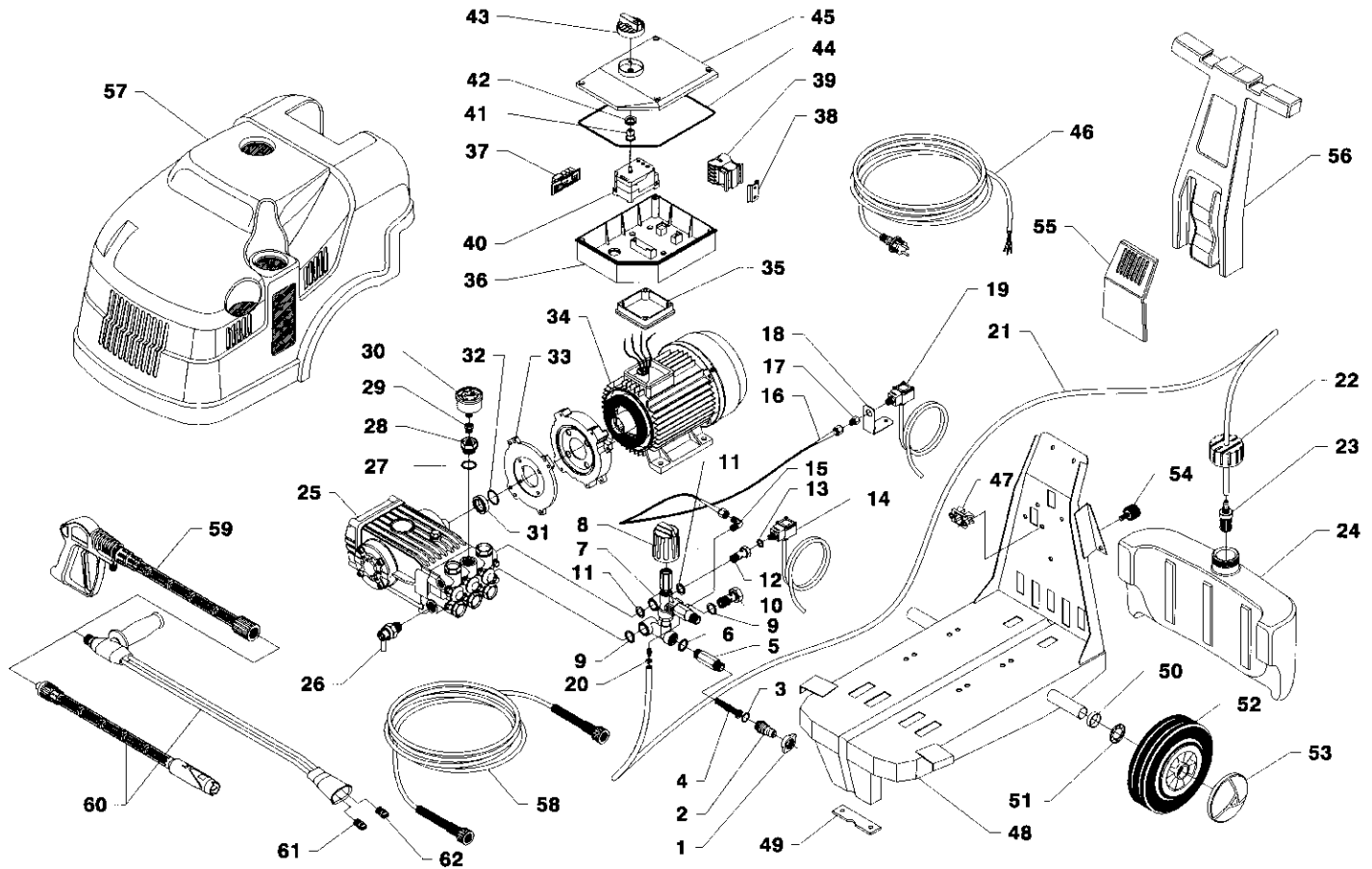
MEDIACOM

Ref: IDAF42326

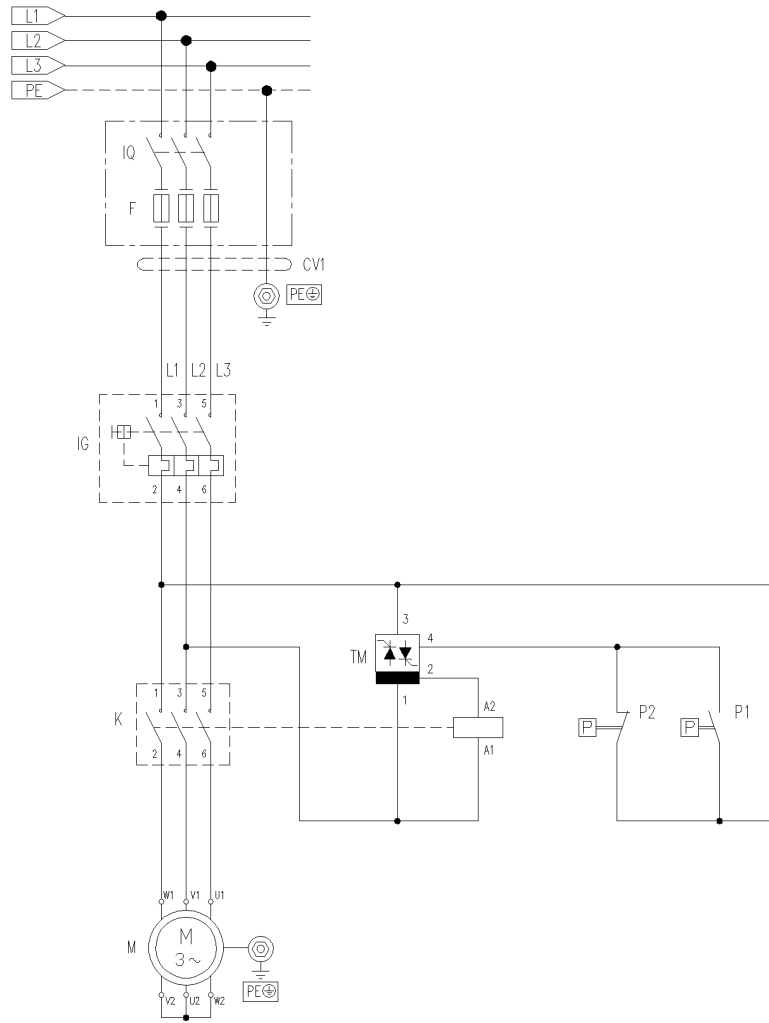
Model: IDROP ROYAL P.DSPL 3060 T 400/50 3-01PRT



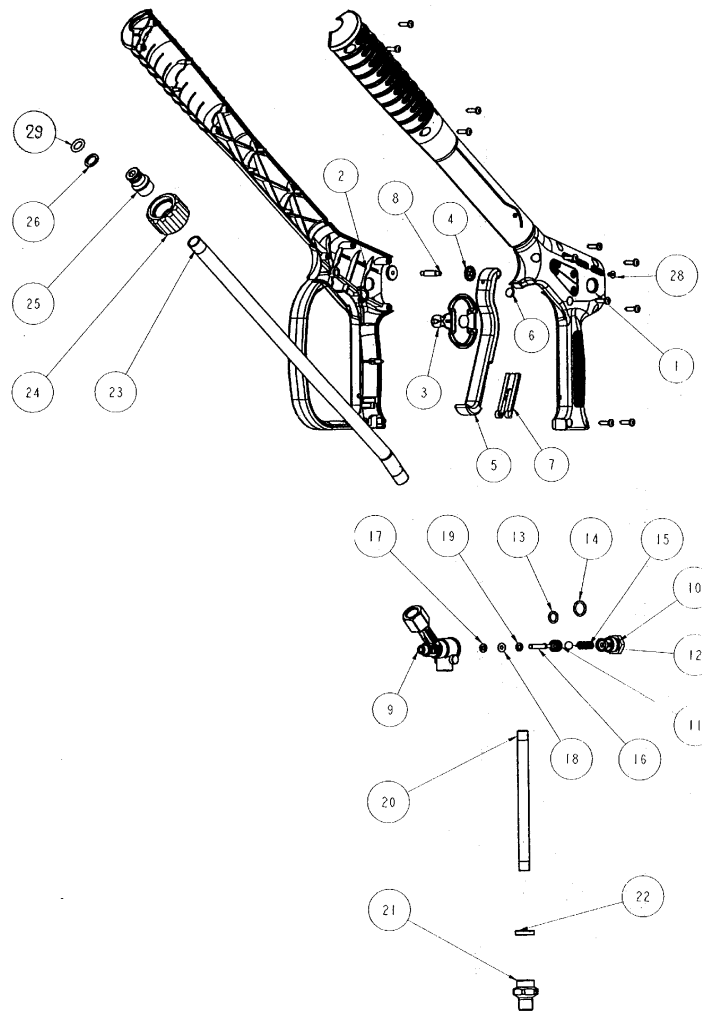
Ref.	K	Part N.	Customer Part N.	Description	Qty	Validity:		Price
						From	To	
0001		RCDS09316		CONNECTION G. 3/4	1,00			--
0002		RCDS08965		HOSE FITTING OTT.	1,00			--
0003		GUGO01054		O-RING D. 15.08 X 2.62 NBR 70SH	1,00			--
0004		FTAC30214		FILTER D.15X67	1,00			--
0005		RCDS42051		NIPPLE 3/4 - 1/2 RYL	1,00	11/1999		--
0006		GUGO01032		O-RING D. 17.13 X 2.62 NBR 70SH	1,00	09/2002		--
0006		VTRS00549		WASHER D.21,5X27X1.5 (1/2) RM	1,00	11/1999	09/2002	--
0007		VVAZ31982		VALVE VB 7 W151 AF I.2.1 RG.	1,00	11/1999	09/2002	--
0007		VVAZ46724		VALVE MV 625 W151 AF I.2.1 REG.	1,00	09/2002		--
0008		MPVR09436		BLACK KNOB ST 260	1,00	09/1999		--
0009		VTRS12491		WASHER 1/2	2,00	11/1999		--
0010		RCDS12486		SCREW G 1/2 L=48.5	1,00	11/1999		--
0011		VTRS12492		WASHER 3/8	2,00	11/1999		--
0012		RCDS40551		SCREW G 3/8 - 1/8F L=48.5	1,00	11/1999		--
0014		MEPF39741		PRESSURE SWITCHMTM 1/8M NA/NC 25B. MICRO	1,00	09/1999		--
0015		RCVR35844		ELBOW 1/4-1/8 M/M NIK	1,00	09/2002		--
0015		RCVR35844		ELBOW 1/4-1/8 M/M NIK	1,00	11/1999	05/2002	--
0015		RCVR47005		ELBOW 1/4-1/8 M/M NIK RB.	1,00	05/2002	09/2002	--
0016		TBAP42069		POLYAMIDE HOSE L=260 1/4-1/4 F-F	1,00	10/1999		--
0017		RCVR02596		SLEEVE 1/4 M/F A5	1,00	09/1999	10/2002	--
0017		RCVR48093		SLEEVE 1/4 M/F A5 TRN.	1,00	10/2002		--
0018		LAFN42072		SUPPORT BRACKETR.PRS	1,00	10/1999		--
0019		MEPF39902		PRESSURE SWITCHMTM 1/4M NA/NC 25B. MICRO	1,00	09/1999		--
0020		FSVR11957		CLAMP D. 9.5-12 CLIC	1,00	09/1999		--
0021		TBBP04917		L.P. HOSE D. 6- 9	1,20	09/1999		--
0022		MPVR27781		TANK CAP MTH D.10	1,00	04/1998		--
0023		FTDT04648		FILTER PG. D.6 PLS	1,00	04/1998		--
0024		MPVR27424		DETERGENT TANK MITHO PLUS	1,00	04/1998		--
0025		PPAP42031		PUMP WS151 DX LT 15 -150B. USA	1,00	11/1999		--
0026		VVSC40550		VALVE 1/2" 63°C	1,00	11/1999		--
0027		GUGO01033		O-RING D. 20.24 X 2.62 NBR 90SH	1,00			--
0028		RCDS01087		CAP M24X2X16 OTT	1,00	02/2001		--
0028		RCDS09059		CAP M24X2X16 + 1/4F OTT	1,00	11/1999	02/2001	--
0028		RCDS44185		CAP M24X2X16 + 1/4F RIB.OTT.	1,00	02/2001		--
0029		RCVR00644		REDUCTION 1/4-1/8 M/F	1,00	11/1999		--
0030		MNMN18650		PRESSURE GAUGE 0-300 D.40	1,00	11/1999		--
0031		RCDS34756		BUSHING IP W15 OT	1,00	11/1999		--
0032		GUGO42285		O-RING D. 35 X 2.5 VIT.70SH	1,00	11/1999		--
0033		MFVR21735		COUNTERFLANGE MEC 112 2.V	1,00	11/1999		--



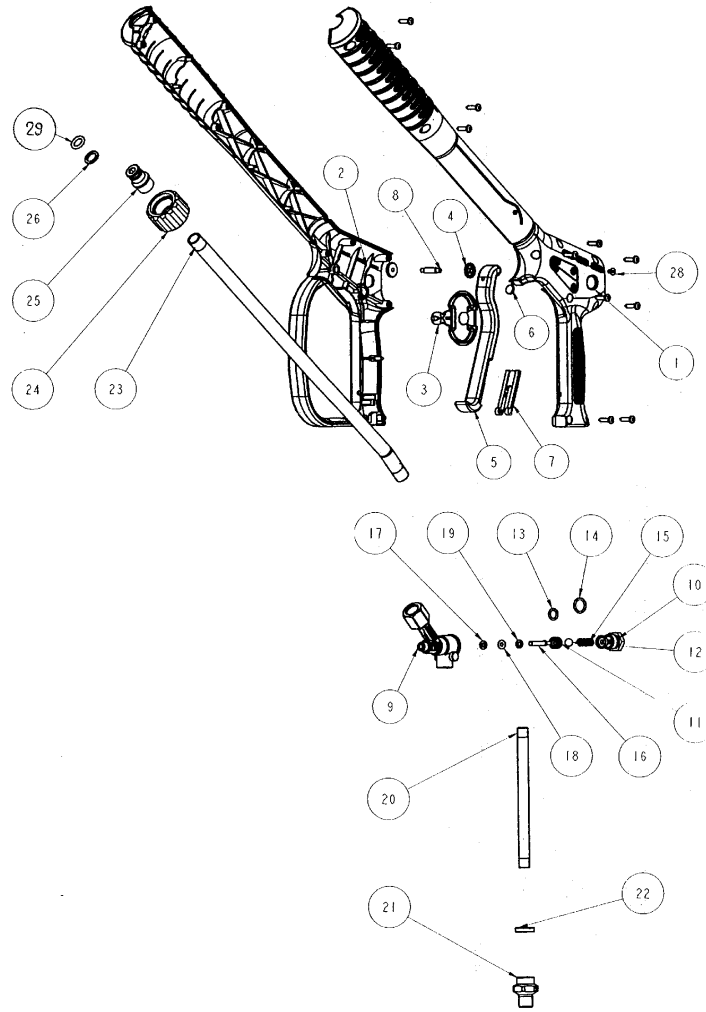
Ref. K	Part N.	Customer Part N.	Description	Qty	Validity:		Price
					From	To	
0034	MOTR41195		3PH MOTOR PRS HP7.5 230-400/50 C/CU	1,00	11/1999		--
0035	MPVR13033		SPACER SIC H90	1,00	09/1999		--
0036	MPVR32493		CONTROL BOX N.ROY. DS ABS	1,00	09/1999		--
0037	METY37439		TIMER THV/1S 380-415V 30S.5/60	1,00	09/1999		--
0039	METT40664		CONTACTOR SIE 3RT 1017 1AV01 400V	1,00	09/1999		--
0040	MECI08294		SWITCH O.K.N. 10-16 A	1,00	09/1999		--
0041	MPVR10083		TAIL PIECE OKA L=22	1,00	09/1999		--
0042	GUGO23079		V-SEAL RING VA0014 13.5- 15.5	1,00	09/1999		--
0043	MPVR10084		SWITCH KNOB O.K.A.	1,00	04/1998		--
0044	GUGO33675		JOINT MOUSSE D. 4	0,65	09/1999		--
0045	MPVR32494		BOX COVER N.ROY.DS ABS	1,00	09/1999		--
0046	MECB26015		CABLE 4X2.5 H07 RNF L=6.500	1,00	09/1999		--
0047	MEVR33994		CABLE FASTNER 4228 B D. 6- 18	1,00	09/1999		--
0048	LAFN43790		CHASSIS ROYAL PRESS 2V.	1,00	10/2000		--
0049	MPVR10079		FOOT SUPPORT N S.JET	1,00	09/1999		--
0050	MPVR29447		SPACER D. 26-30 L=10 PVC	2,00			--
0051	VTRS09813		WASHER D.25	2,00	09/1999		--
0052	RTRT30566		WHEEL D.250-D.25X 88 P. NYL	2,00	09/1999		--
0053	MPVR28995		GREY HUB CAP D. 110	2,00	04/1998		--
0054	ABGO06511		VIBRATION DAMP.25X17- 1M6X18 50+5SH NBR	1,00	09/1999		--
0055	MPVR27836		CONTROL COVER ELT	1,00			--
0056	MPVR27278		HANDLE ELITE	1,00	04/1998		--
0057	MPVR43785		RED COVER ROYAL PRESS PP	1,00	10/2000		--
0058	TBAP28590		H.P. HOSE R1 MT 8 5/16" F/F M22	1,00	04/1998		--
0059	IPPR43065		GRIP G 2200 +PR.330 +M22 M	1,00	04/2000		--
0060	LCPR12982		DOUBLE EXTENS. PD 50	1,00	06/2005		--
0060	LCPR12982		DOUBLE EXTENS. PD 50	1,00	02/1999	05/2005	--
0061	UGLN00044		NOZZLE 1/4 2505	1,00	02/1999		--
0061	UGLN00044		NOZZLE 1/4 2505	1,00	02/1999	05/2005	--
0061	UGLN03327		NOZZLE 1/4 25045	1,00	06/2005		--
0062	UGLN05174		NOZZLE 1/4 5040 OT	1,00	06/2005		--
0062	UGLN05174		NOZZLE 1/4 5040 OT	1,00	02/1999	05/2005	--



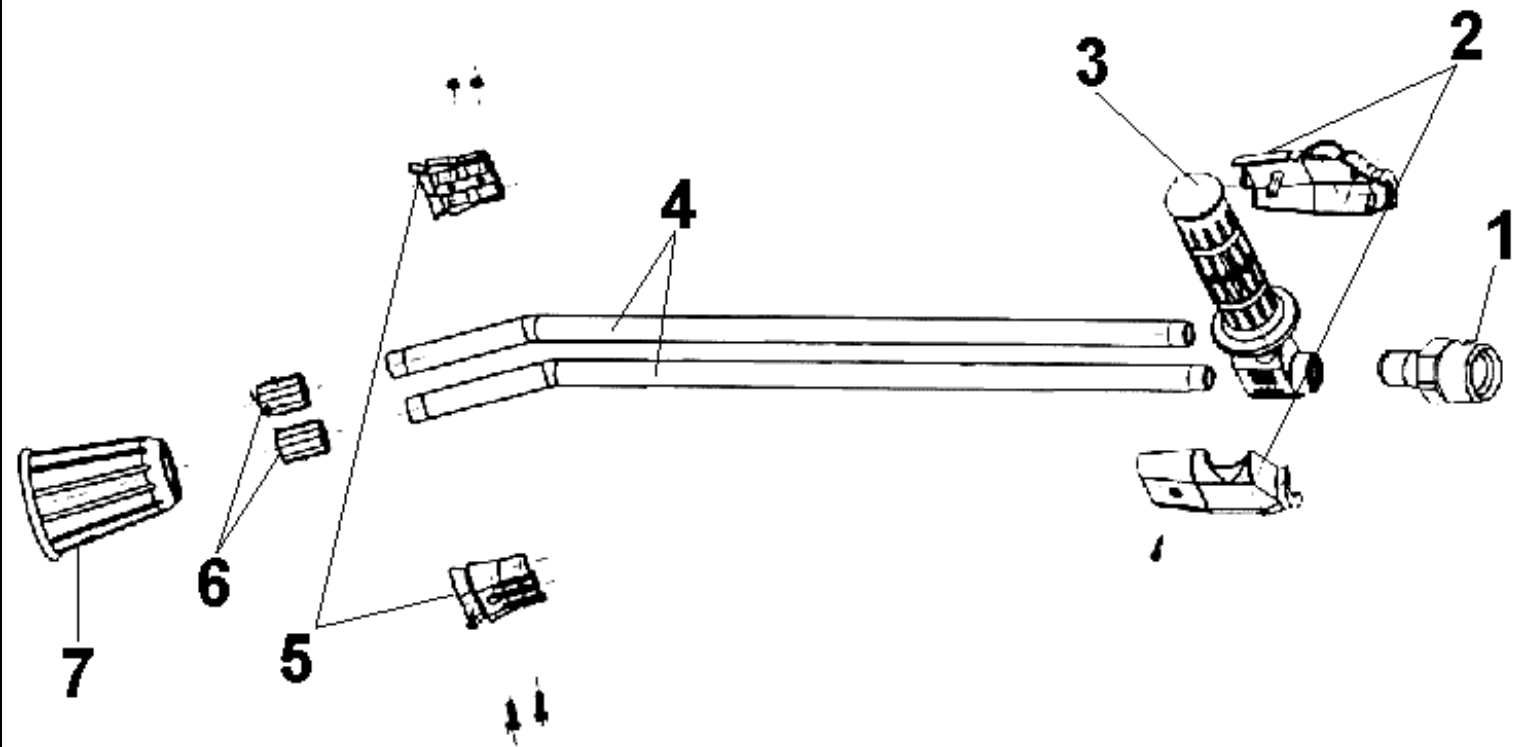
Ref.	K	Part N.	Customer Part N.	Description	Qty	Validity:		Price
						From	To	
K		METT40664		CONTACTOR SIE 3RT 1017 1AV01 400V	1,00			--
M		MOTR41195		3PH MOTOR PRS HP7.5 230-400/50 C/CU	1,00			--
IG		MECI08294		SWITCH O.K.N. 10-16 A	1,00			--
P1		MEPF39741		PRESSURE SWITCHMTM 1/8M NA/NC 25B. MICRO	1,00			--
P2		MEPF39902		PRESSURE SWITCHMTM 1/4M NA/NC 25B. MICRO	1,00			--
TM		METY37439		TIMER THV/1S 380-415V 30S.5/60	1,00			--
CV1		MECB26015		CABLE 4X2.5 H07 RNF L=6.500	1,00			--



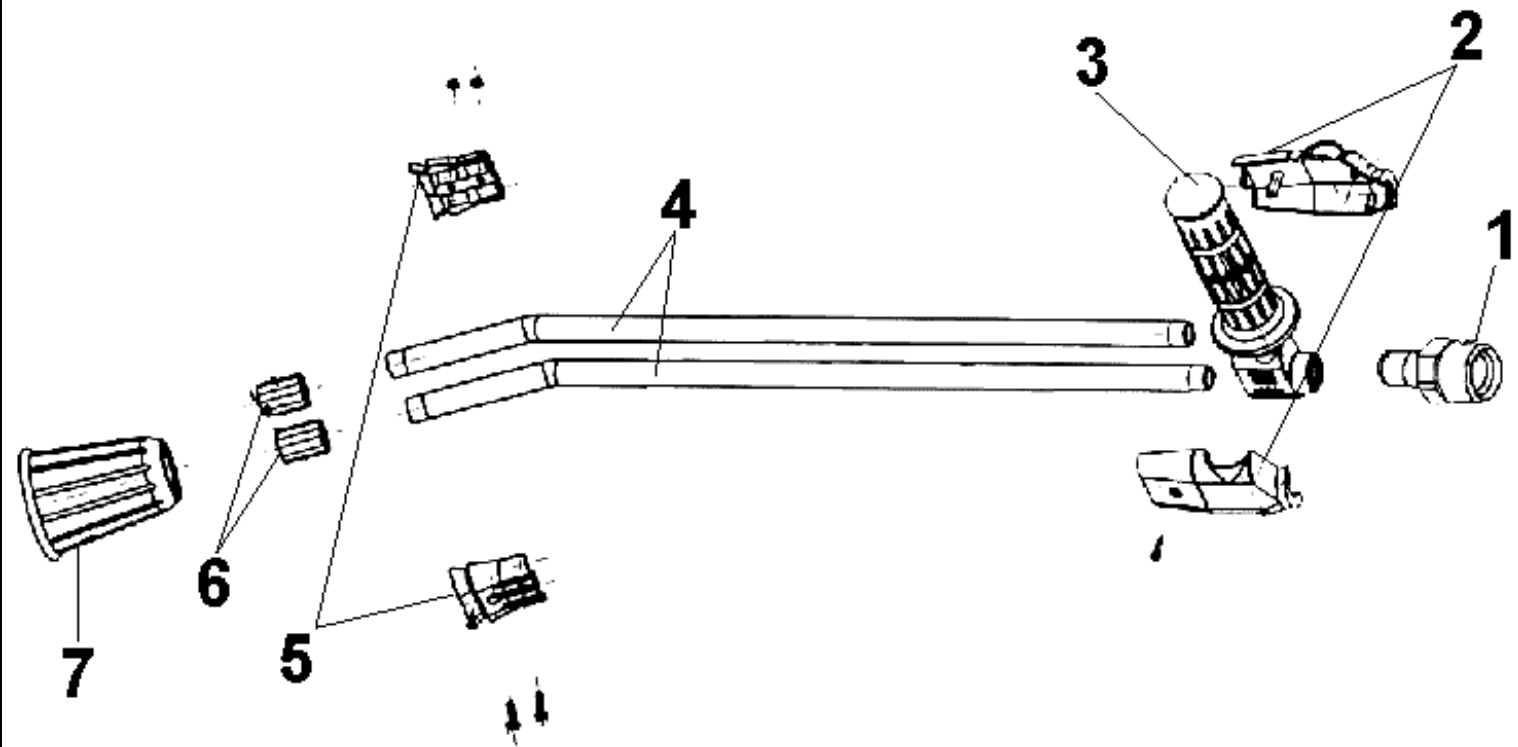
Ref.	K	Part N.	Customer Part N.	Description	Qty	Validity: From To	Price
0001		MPVR43269		HALF BEARING G2200 SX PRT	1,00		--
0002		MPVR43268		HALF BEARING G2200 DX PRT	1,00		--
0003		MPVR43270		CAP G2200	1,00		--
0004		VTRS41562		WASHER AURA 200	2,00		--
0005		MPVR41568		TRIGGER AURA 200	1,00		--
0006		PVVR41567		PAWL AURA 200 INX	1,00		--
0007		MPVR41569		SAFETY-DEVICE AURA 200	1,00		--
0008		VTVR41566		PLUG AURA 200	1,00		--
0009		PVVR41559		GUN BODY AURA G1/4 L.18	1,00		--
0010	E	PVVR43275		CAP M14X1 AURA 200 2.V	1,00		--
0011	E	PVVR43274		BALL SEAT AURA 200 2.V	1,00		--
0012	E	SFVR12904		BALL D. 9/32 W1 INX	1,00		--
0013	E	GUGO63426		O-RING D. 7.66 X 1.78 NBR 90SH	1,00		--
0014	E	GUGO19194		O-RING D. 11.11 X 1.78 NBR 70SH	1,00		--
0015	E	MLML41571		SPRING D. 7 X21 D.1.2	1,00		--
0016	S	PVVR43264		SMALL PISTON AURA 200 INX L=30 2V.	1,00		--
0017	S	GUVR41557		ANTI-EXTR.RING D. 4 X 7.8X1.2	1,00		--
0018	S	GUGO01201		O-RING D. 3.6 X 2.4 -NBR 70SH	1,00		--
0019	S	VTRS43265		WASHER OT AURA	1,00		--
0020		PVVR43272		TUBE G 1/8" M/M L.133	1,00		--
0021		RCIN41561		MALE COUPLING M 22 -1/8F	1,00		--
0022		MPVR43271		WASHER 1/8" G2200	1,00		--
0023		LCPR43273		TUBE 1/ 4 L=384 0° 1/4 M-M INX	1,00		--
0024		PVVR43276		CONNECTION M22X1,5 IRV	1,00		--
0025		RCIN43267		GUDGEON G 1/4 F IRV	1,00		--
0026		GUVR43266		ANTI-EXTR.RING SR 110	1,00		--
0028		PVVR42233		CAP D. 3 PLS YLW.	1,00		--
0029		GUGO28927		O-RING D. 9.13 X 2.62 NBR 70SH	1,00		--



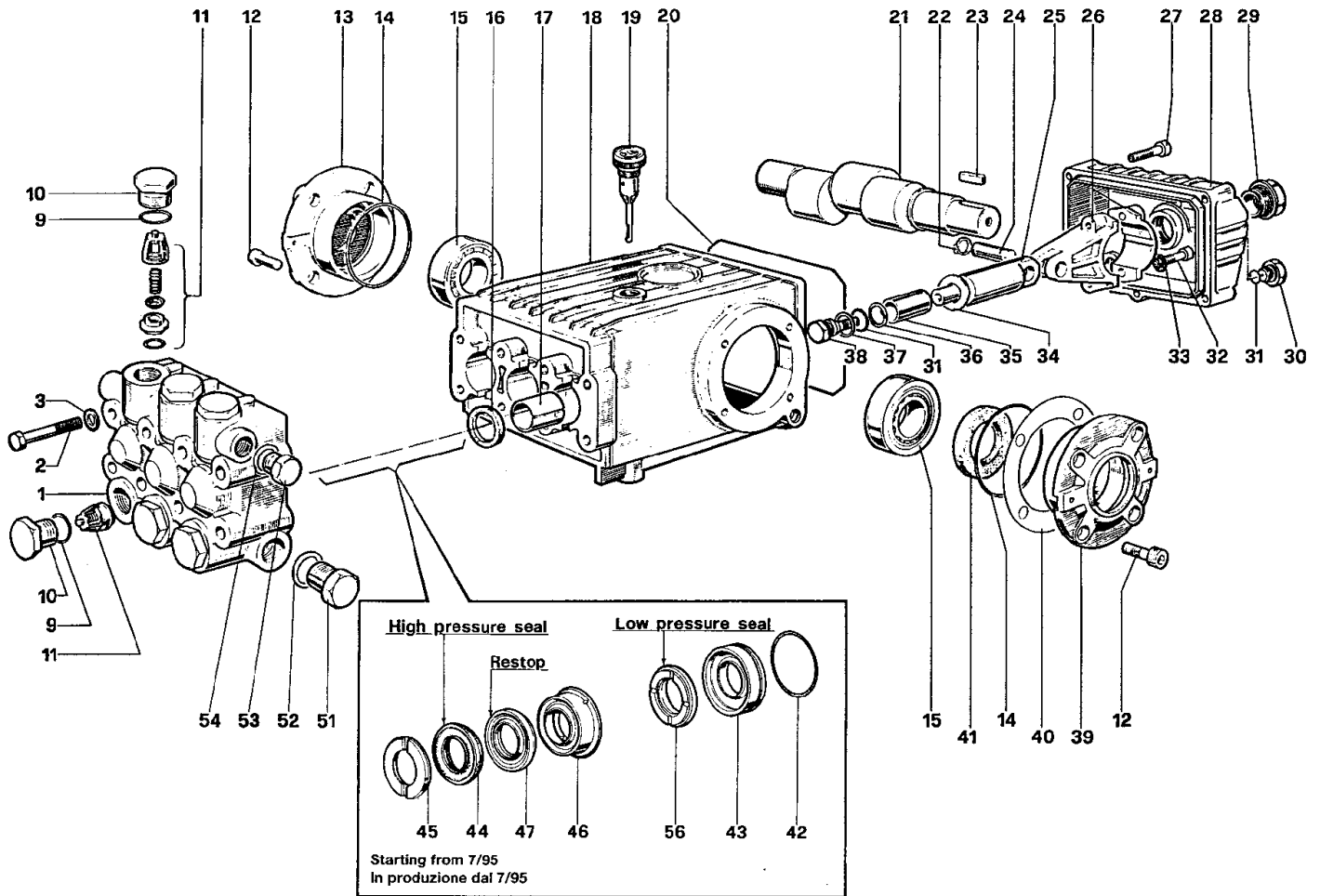
Ref. Part N.	Cust. Part N.	Description	Reference	Price
KTRI40835	KIT P	26- 15 AURA 200	0011 0012 0013 0014 0015 0016 0017 0018 0019	--
KTRI47792	KIT P	26- 20 AURA 200	0010 0011 0012 0013 0014 0015	--



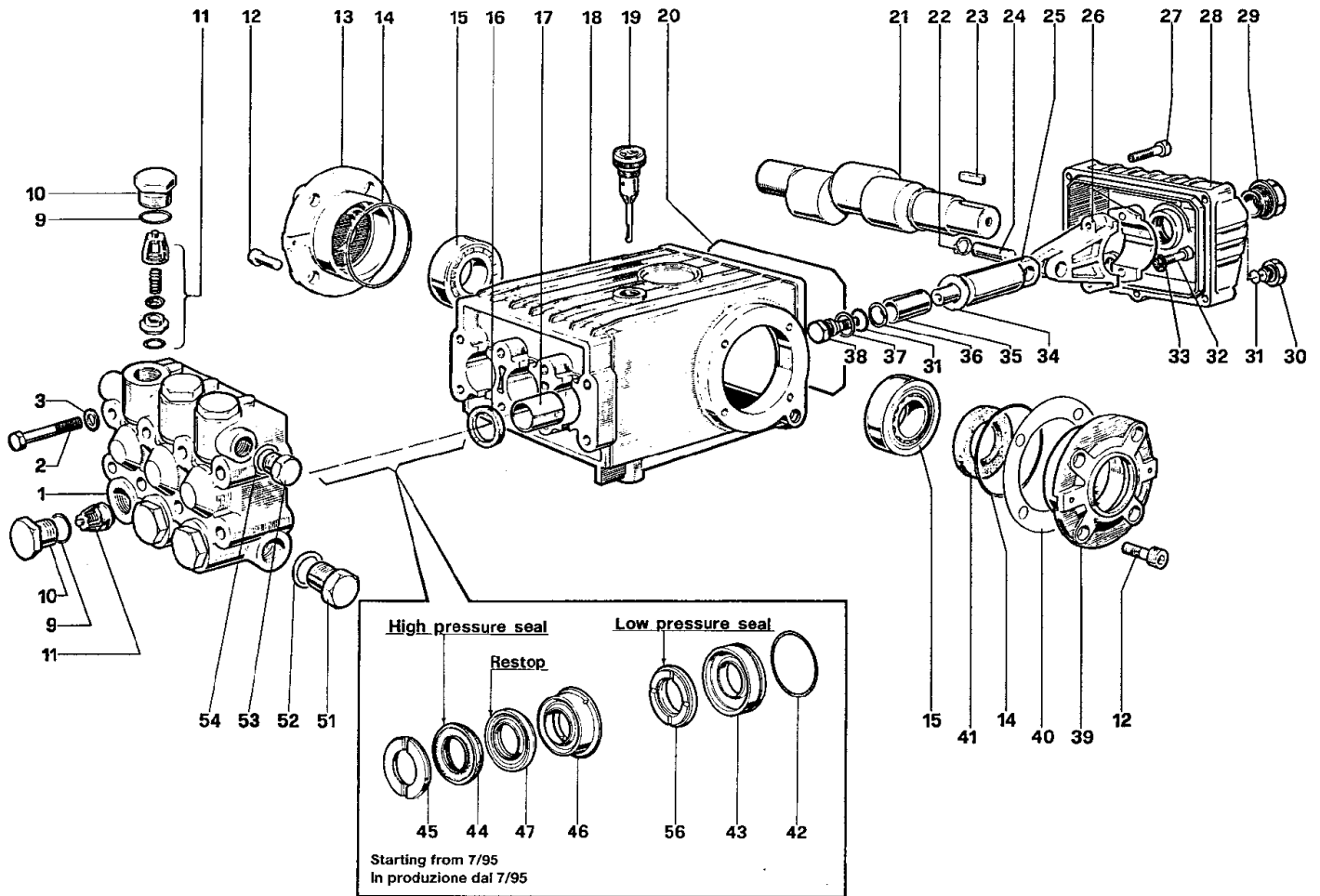
Ref. K	Part N.	Customer Part N.	Description	Qty	Validity:		Price
					From	To	
0001	PVVR45296		COUPLING G 1/4M -M22 M	1,00			--
0002	MPVR45214		PROTECTION TB.1/4 MTM	1,00			--
0003	RCGR45737		TAP 1/4 F LD MTM	1,00			--
0004	LCPR45738		TUBE 1/8 L=500 INOX MTM	2,00			--
0005	MPVR45001		SHELL LD MTM	1,00			--
0006	RCVR45741		NOZZLE HOLDER 1/4-1/8 F MTM	2,00			--
0007	PVVR43810		PROTECTION L.D. MTM	1,00			--



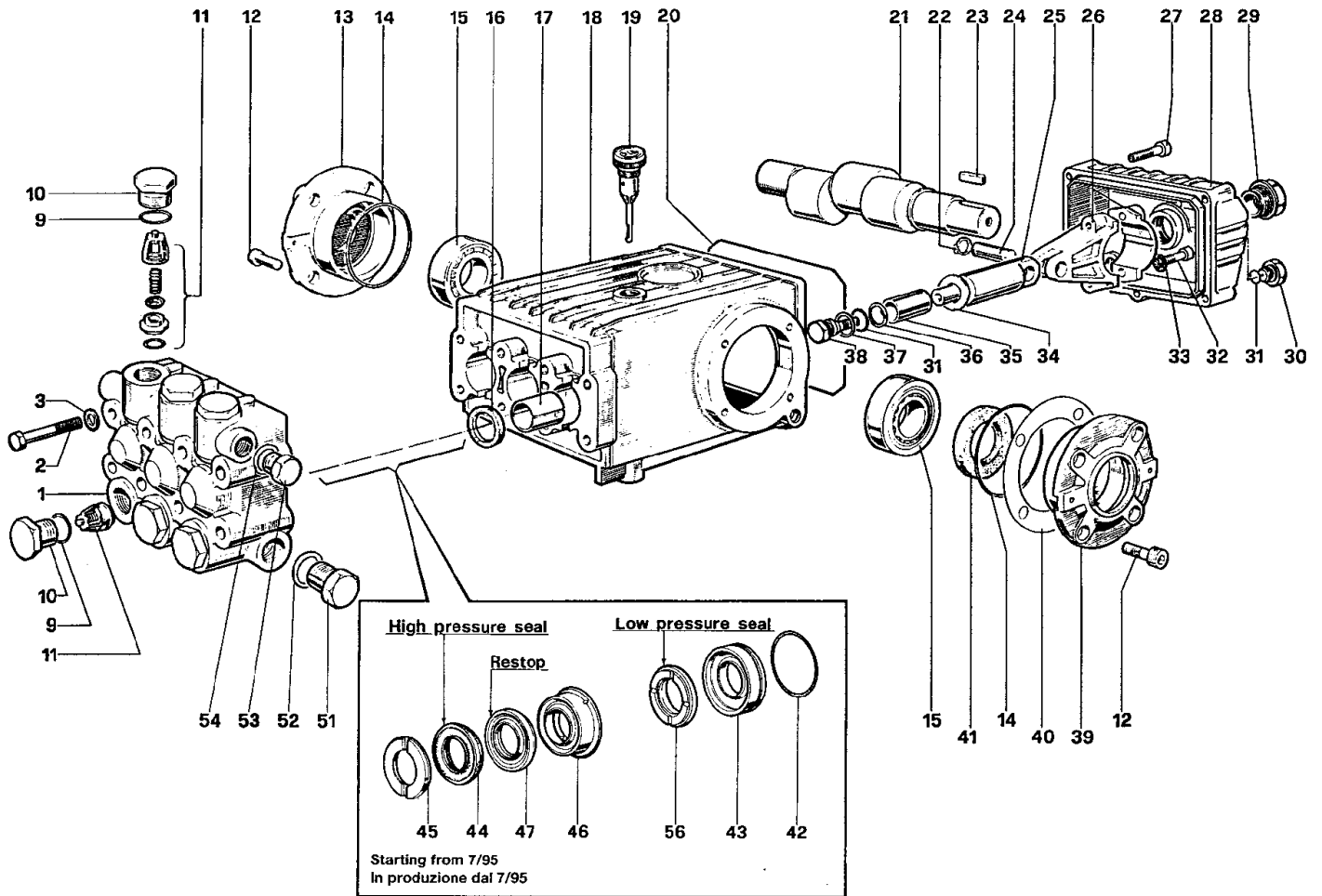
Ref. K	Part N.	Customer Part N.	Description	Qty	Validity:		Price
					From	To	
0001	PVVR45296		COUPLING G 1/4M -M22 M	1,00			--
0002	MPVR45214		PROTECTION TB.1/4 MTM	1,00			--
0003	RCGR45737		TAP 1/4 F LD MTM	1,00			--
0004	LCPR45738		TUBE 1/8 L=500 INOX MTM	2,00			--
0005	MPVR45001		SHELL LD MTM	1,00			--
0006	RCVR45741		NOZZLE HOLDER 1/4-1/8 F MTM	2,00			--
0007	PVVR43810		PROTECTION L.D. MTM	1,00			--



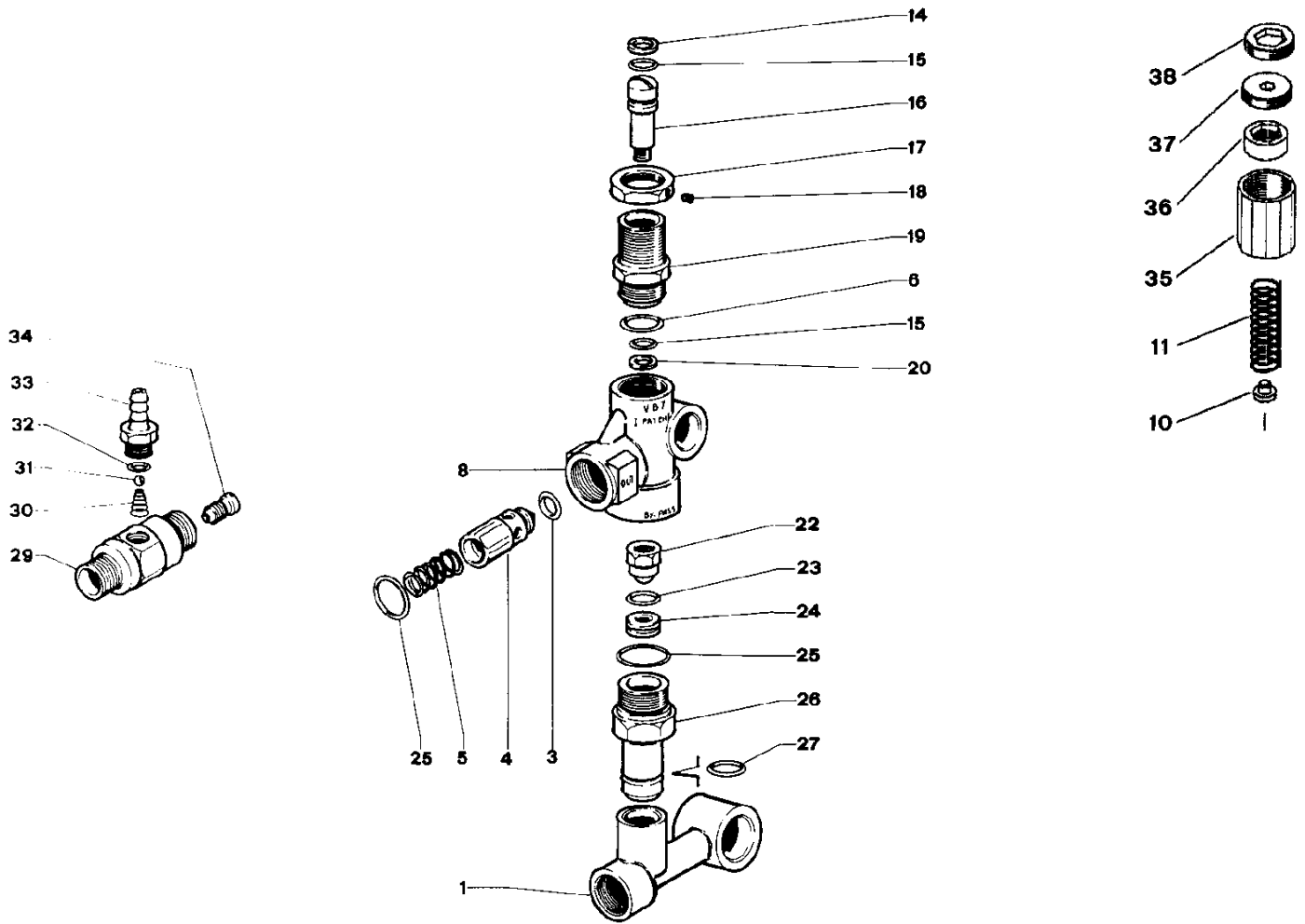
Ref.	K	Part N.	Customer Part N.	Description	Qty	Validity:		Price
						From	To	
0001		MFVR01097		HEAD W 151	1,00			--
0002		VTVT01111		SCREW TE M 8X70 UNI 5737	8,00			--
0003		VTRS01072		WASHER D. 8 TC	8,00			--
0009	S	GUGO01033		O-RING D. 20.24 X 2.62 NBR 90SH	6,00			--
0010	S	RCDS01087		CAP M24X2X16 OTT	6,00			--
0011	S	VVAM01104		VALVE UNIT W 70-151	6,00			--
0012		VTVT01118		SCREW TCEI M 8X16 ZC. UNI 5931	8,00			--
0013		MFVR03576		CRANKASE COVER W151	1,00			--
0014		GUGO01041		O-RING D. 67.95 X 2.62 NBR 70SH	2,00			--
0015		CUVR09205		ROLLER BEARING 32206 A	2,00			--
0016	S	GUGO01000		OIL SEAL 22X 32X 5.5 NBR70	3,00			--
0017		PVVR01011		BUSHING W 151	3,00			--
0018		MFVR01013		PUMP CRANKCASE W 151	1,00			--
0019		PVVR01092		OIL DIPSTICK W 151	1,00			--
0020		GUGO34590		O-RING D. 133.02 X 2.62 NBR 70SH	1,00			--
0021		ALMO41530		SHAFT TS 1511 USA	1,00			--
0022		VTAE14016		CIRCLIP D. 12 UNI 7435	6,00			--
0023		VTVR41531		KEY 8X 7X35 UNI 6604A	1,00			--
0024		PVVR01085		GUDGEON D.13X35 W151	3,00			--
0025		PVVR01029		PISTON GUIDE W 151	3,00			--
0026		BLVR01009		CONNECTING ROD W 151	3,00			--
0027		VTVT01116		SCREW TCEI 6X30 UNI5931	5,00			--
0028		MFVR03582		CRANKASE COVER W 151 POS	1,00			--
0029		PVVR01083		OIL INDICATOR G 3/4 W70-151	1,00			--
0030		RCDS01088		CAP 1/4X 9 M WW90	1,00			--
0031	S	GUGO01036		O-RING D. 10.82 X 1.78 NBR 70SH	4,00			--
0032		VTVT01120		SCREW TCEI 8X35 UNI5931	6,00			--
0033		VTRS14242		WASHER D. 8.4X13X0.8 UNI7064 SCH	6,00			--
0034	S	VTRS01753		WASHER D.14X28 X0,5	3,00			--
0035		PIVR01066		PISTON D.20X50 W 151	3,00			--
0036	S	GUVR00994		ANTI-EXTR.RING W151	3,00			--
0037	S	VTRS01076		WASHER D.14X18,5X0,5	3,00			--
0038	S	PVVR01107		PISTON BOLT IP W151	3,00			--
0039		MFVR03583		CRANKASE COVER W151	1,00			--
0040		PVVR01016		THICKNESS 0,1 W 151	2,00			--
0041	S	GUGO01003		OIL SEAL 30X 55X 7 NBR70	1,00			--
0042	S	GUGO01042		O-RING D. 34.6 X 1.78 NBR 70SH	3,00			--
0043	S	PVVR00977		PACKING RETAIN.W151	3,00			--
0044	S	GUVR00981		PACKING W151	3,00			--



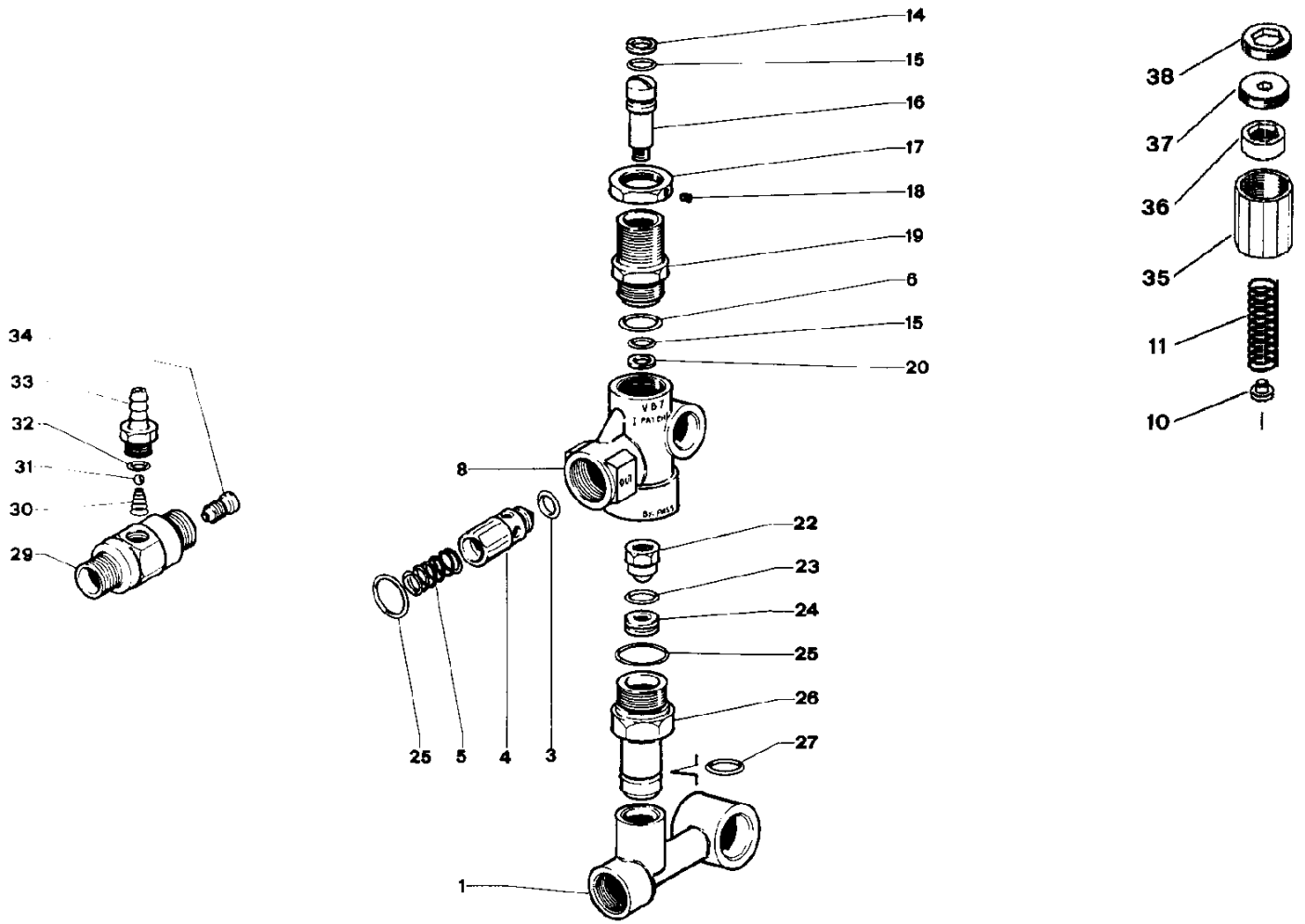
Ref.	K	Part N.	Customer Part N.	Description	Qty	Validity:		Price
						From	To	
0045	S	PVVR00985		HEAD RING W151	3,00			--
0046	S	PVVR34589		INTERMED. RING W 151 D. 20	3,00			--
0047	S	GUVR34587		PACKING D. 20 RESTOP	3,00			--
0051		RCDS01091		CAP 1/2X10 M	1,00			--
0052		VTRS01075		WASHER D.21,5X27 ALL	1,00			--
0053		RCDS01090		CAP 3/8X13 M WW90	1,00			--
0054		VTRS01074		WASHER D.17,05X22,3 X1,5	1,00			--
0056	S	GUVR34585		PACKING W 151 L.P.	3,00			--



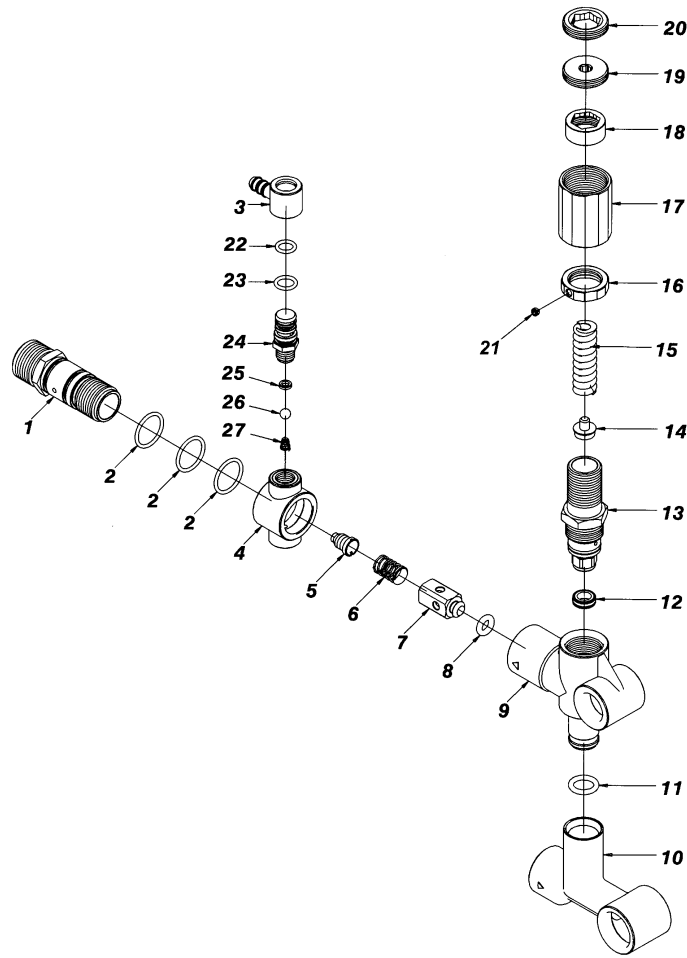
Ref. Part N.	Cust. Part N.	Description	Reference	Price
KTRI14900	KIT P	15- 3	0041	--
KTRI14901	KIT P	10	0042 0043	--
KTRI17793	KIT P	6	0031 0034 0036 0037 0038	--
KTRI17795	KIT P	4	0009 0010	--
KTRI17859	KIT P	1	0011	--
KTRI17860	KIT P	2	0016	--
KTRI18574	KIT P	7	0045	--
KTRI18579	KIT P	28	0042 0043 0044 0045 0046 0047 0056	--



Ref.	K	Part N.	Customer Part N.	Description	Qty	Validity: From To	Price
0001		PVVR24912		MANIFOLD G1/2 VB 7	1,00		--
0003	S	GUGO06824		O-RING D. 6 X 3 NBR 70SH	1,00		--
0004		PVVR29750		PIN VB 7 2V.	1,00		--
0005		MLML29751		SPRING VB 7	1,00		--
0006	S	GUGO24913		O-RING D. 17.17 X 1.78 NBR 90SH	1,00		--
0008		PVVR29753		VALVE BODY VB 7 2V.	1,00		--
0010		PVVR21510		SUPPORT AISI 430	1,00		--
0011		MLML10727		SPRING D. 3	1,00		--
0014	S	GUVR24915		ANTI-EXTR.RING D. 11.6 X 7	1,00		--
0015	S	GUGO24916		O-RING D. 6.02 X 2.62 NBR 90SH	2,00		--
0016		PVVR24917		SMALL PISTON VB 7	1,00		--
0017		PVVR12471		RING NUT VPO	1,00		--
0018		VTVT24918		SCREW EI-ST 4X 4 UNI5927	1,00		--
0019		PVVR38740		CONNECTOR VB7-RG.	1,00		--
0020	S	GUVR24920		ANTI-EXTR.RING D. 11 X 6.4	1,00		--
0022	S	PVVR24921		COUPLING M6 INX	1,00		--
0023	S	GUGO24922		O-RING D. 11.11 X 1.78 NBR 90SH	1,00		--
0024	S	PVVR24923		BALL SEAT D. 8.5 + O-RING	1,00		--
0025	S	GUGO24924		O-RING D. 18.77 X 1.78 NBR 90SH	2,00		--
0026		PVVR24926		CONNECTOR VB 7 L=24	1,00		--
0027		GUGO12714		O-RING D. 10.3 X 2.4 VIT 70SH	1,00		--
0029		PVVR32491		METERING. BODY VB 7 M22 3V. T.ST	1,00		--
0030		MLML04264		SPRING D. 4.3X11X7.3 KR	1,00		--
0031		SFVR04274		BALL D. 7/32	1,00		--
0032		GUGO01055		O-RING D. 5.28 X 1.78 VIT 70SH	1,00		--
0033		RCVR24928		HOSE FITTING 1/4 M D. 8 VB 7	1,00		--
0034		UGEI29755		NOZZLE D. 2.1 VB 7 2V.	1,00		--
0035		PVVR38736		CAP VB7-RG.	1,00		--
0036		PVVR38739		RING NUT VB7-RG.	1,00		--
0037		PVVR38738		REGISTER VB7-RG.	1,00		--
0038		PVVR38737		CLAMP VB7-RG.	1,00		--



Ref. Part N.	Cust. Part N.	Description	Reference	Price
KTRI26772		KIT P 14- 35	0003 0006 0014 0015 0020 0022 0023 0024 0025	--



Ref.	K	Part N.	Customer Part N.	Description	Qty	Validity: From To	Price
0001		PVVR47993		METERING. BODY MV 625 M22	1,00		--
0002		GUGO01058		O-RING D. 17.17 X 1.78 NBR 70SH	3,00		--
0003		PVVR47999		HOSE FITTING MV 625	1,00		--
0004		PVVR47995		METERING. BODY MV 625 GIR.	1,00		--
0005		UGEI46790		NOZZLE D. 2.1 MV625	1,00		--
0006		MLML47978		SPRING MV 625	1,00		--
0007		PVVR47979		PIN MV 625	1,00		--
0008		GUGO46053		O-RING D. 6 X 3 NBR 90SH	1,00		--
0009		PVVR47980		VALVE BODY MV 625	1,00		--
0010		PVVR47997		CONNECTOR MV 625 H.73	1,00		--
0011		GUGO11225		O-RING D. 10.78 X 2.62 NBR 70SH	1,00		--
0012		PVVR47985		VALVE SEAT MV 625 + O-RING	1,00		--
0013		PVVR47988		CONNECTOR MV 625 REG.	1,00		--
0014		PVVR47986		SPRING PLATE MV 625	1,00		--
0015		MLML47987		SPRING D. 3.25X41.1 MV 625	1,00		--
0016		PVVR47984		RING NUT MV 625	1,00		--
0017		PVVR47989		CAP MV 625 REG.	1,00		--
0018		PVVR47990		RING NUT MV 625 REG.	1,00		--
0019		PVVR47991		REGISTER MV 625 REG.	1,00		--
0020		PVVR47992		CLAMP MV 625 REG.	1,00		--
0021		VTVT24918		SCREW EI-ST 4X 4 UNI5927	1,00		--
0022		GUGO06988		O-RING D. 7.66 X 1.78 NBR 70SH	1,00		--
0023		GUGO12490		O-RING D. 8.74 X 1.78 NBR 70SH	1,00		--
0024		PVVR47998		CONNECTOR MV 625	1,00		--
0025		PVVR47994		BALL SEAT MV 625	1,00		--
0026		SFVR04274		BALL D. 7/32	1,00		--
0027		MLML47996		SPRING D. 5.5	1,00		--